



Post Office Box 1789  
Amarillo, Texas 79105  
2401 Sundown Lane (79118)  
Ph. 806 622 1273  
Fax 806 622 3258

## **Instructions for Using Parts List for Double Reduction Fan Drives**

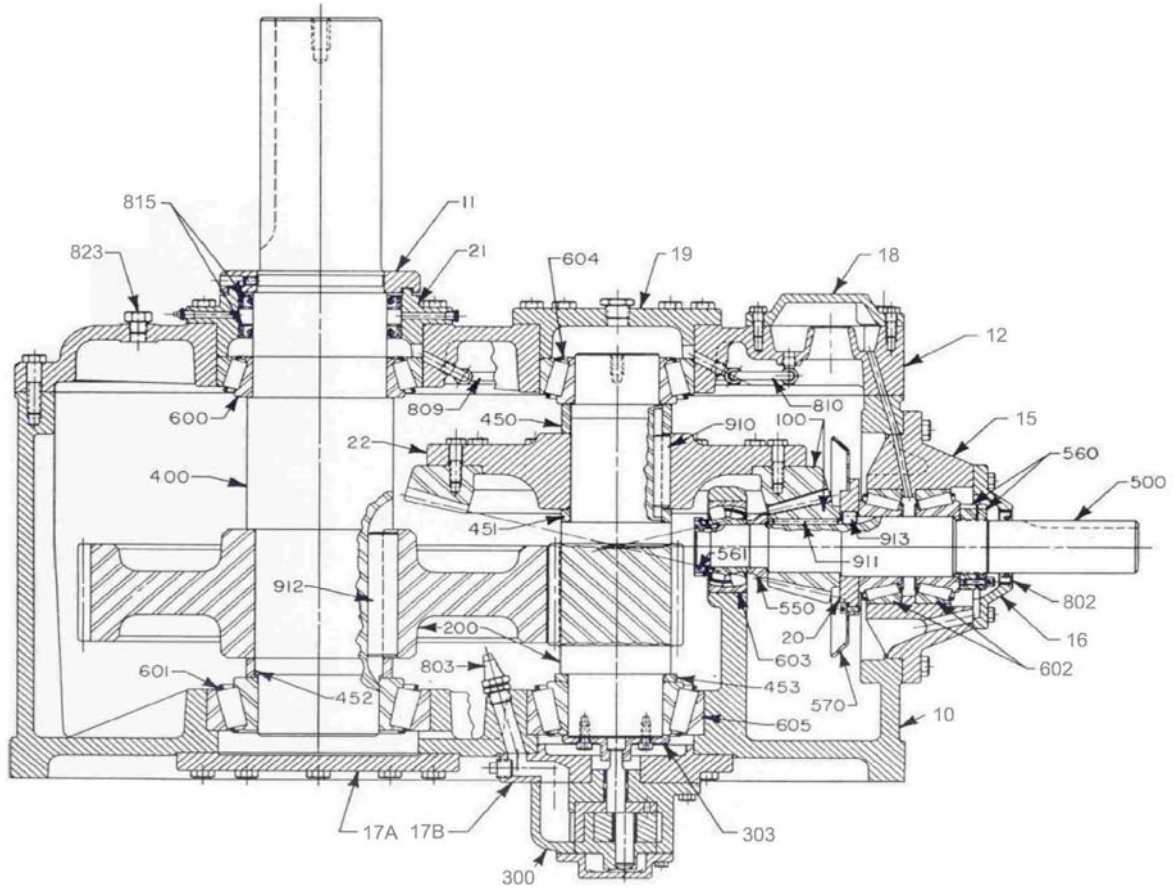
1. These parts lists are for current production models from the model 1008-1814 and A32 - A38.  
Contact Amarillo Gear Company for prices.
2. To make sure you get the correct parts, always provide the serial number of the gear drive when ordering parts.
3. A general double reduction fan drive drawing is provided for parts identification.



A member of The Marmon Group of companies

Copyright ©2003 Amarillo Gear Co.

Figure 1 - Double Reduction Gear Drive Typical Cross-Section





<b>Model 1008 Parts List</b>		
<b>Ref. No.</b>	<b>Part No.</b>	<b>Description</b>
10	D1-10	Gear Case and
12	D1-12	Cover
11	D1-11	Upper Seal Plate
15	D1-15	Horiz. Carrier
16	F4-16A	Horiz. Seal Plate
17B	D1-17BM	Lower Brg Cover-Interm
17A	D1-17AM	Lower Brg Cover-Output
18	D1-18	Cover Plate
19	D1-19	Upper Brg Cover-Interm
20	D1-20	Oil Slinger Plate
21	D1-21	Vertical Seal Carrier
22	N/A	Vertical Gear Mount
	L18B	Inspection Plate
+100	100	Spiral Bevel Gears, ratios 7.5 thru 10:1, 11, 12
+100	100	Spiral Bevel Gears, ratios 10.5, 13, 14
200G	397G	Helical Gear
+200P	397P	Helical Pinion
400	31028	Vertical Output Shaft
450	450	Above Gear Spcr-Interm
451	451	Bet. Gear Spcr-Interm
452	452	Lower Gear Spcr-Output
453	453	Under Gear Spcr-Interm
500	500	Horizontal Shaft
550	N/A	Horiz Inner Brg Spacer
560	3268	Horiz Brg Locknut Set
561	N/W-09	Horiz Gear Retainer
570	31027	Oil Slinger
+600	42587/381	Upper Bearing-Output
+601	598A/592A	Lower Bearing-Output
+602	JHM807012 JHM807045	Outer Bearing-Horiz
+603	65500 65225	Inner Bearing-Horiz
+604	553X/555S	Upper Bearing-Interm
+605	65500 65225	Lower Bearing-Interm
+802	SH 1008	Standard Horiz Oil Seal Set - CR Seal #18733, qty 2
+815	SV 1008	Standard Output Shaft Seal Set - National Seal #417504, qty 2
+823	M 313650	Breather Plug
**+824	SM 1008	Brg Shims-Output & Interm Shaft
+825	GC 1008	Gasket Set - Complete (below S/N 231989)
	51531	Loctite Gasket Sealant 2-50ml tubes (S/N 231989 & above)
**+826	*See Ref 824*	
	M AS255	O-ring for D1-21
	M AS246	O-ring for D1-19
836	N/A	Horizontal Carrier Oil Ring
910	910-1008	Gear Key-Interm Shaft
911	911-1008	Gear Key-Horiz Shaft
912	MK 7498-6	Gear Key-Output Shaft
913	913-1008	Oil Slinger Key
300	2 RFD	Oil Pump
303	31025	Oil Pump Drive Plate
17M	D1-17MR1	Bottom Plug-Oil Pump

+Recommended Spare Parts

MINIMUM ORDER VALUE - \$100.00 NET.

\*Bearing Shims, Ref 824 Output Shaft & Ref 826 Intermediate Shaft, are now sold as 1 set on!

SOME PART NUMBERS DETERMINED BY RATIO AND/OR OPTIONAL FEATURES.  
ALWAYS PROVIDE SERIAL NUMBER OF DRIVE WHEN ORDERING PARTS FOR  
VERIFICATION.



<b>Model 1110 Parts List</b>		
<b>Ref. No.</b>	<b>Part No.</b>	<b>Description</b>
10	D2-10A	Gear Case and
12	D2-12A	Cover
11	D2-11	Upper Seal Plate
15	D2-15	Horiz. Carrier
16	F4-16A	Horiz. Seal Plate
17B	D2-17BM	Lower Brg Cover-Interm
17A	D2-17AM	Lower Brg Cover-Output
18	D2-18	Cover Plate
19	D2-19	Upper Brg Cover-Interm
20	D2-20A	Oil Slinger Plate
21	D2-21	Vertical Seal Carrier
22	N/A	Vertical Gear Mount
	L18B	Inspection Plate
+100	100	Spiral Bevel Gears, ratios 7.5, 8, 9.5 thru 13
+100	100	Spiral Bevel Gears, ratios 8.5, 9, 14
200G	396G	Helical Gear
+200P	396P	Helical Pinion
400	32028	Vertical Output Shaft
450	450	Above Gear Spcr-Interm
451	451	Bet. Gear Spcr-Interm
452	452	Lower Gear Spcr-Output
453	453	Under Gear Spcr-Interm
500	500.00	Horizontal Shaft
550	N/A	Horiz Inner Brg Spacer
560	3268	Horiz Brg Locknut Set
561	N/W-09	Horiz Gear Retainer
570	32025	Oil Slinger
+600	64700/450	Upper Bearing-Output
+601	71750/425	Lower Bearing-Output
+602	JHM807012 JHM807045	Outer Bearing-Horiz
+603	HH814510 HH814547	Inner Bearing-Horiz
+604	H414210/42	Upper Bearing-Interm
+605	HH814510 HH814547	Lower Bearing-Interm
+802	SH 1110	Standard Horiz Oil Seal Set -CR Seal #18733, qty 2
+815	SV 1110	Standard Output Shaft Seal Set - CR Seal #44959, aty 2
+823	M 313650	Breather Plug
**+824	SM 1110	Brg Shims-Output & Interm Shaft
+825	GC 1110	Gasket Set - Complete (below S/N 231989)
	51531	Loctite Gasket Sealant 2-50ml tubes (S/N 231989 & above)
**+826	*See Ref 824*	
	M AS363	O-ring for D2-21
	M AS251	O-ring for D2-19
836	N/A	Horizontal Carrier Oil Ring
910	910-1110	Gear Key-Interm Shaft
911	911-1110	Gear Key-Horiz Shaft
912	MK 7498-7	Gear Key-Output Shaft
913	913-1110	Oil Slinger Key
300	2 RFD	Oil Pump
303	32027	Oil Pump Drive Plate
17M	D2-17MR	Bottom Plug-Oil Pump

+Recommended Spare Parts

MINIMUM ORDER VALUE - \$100.00 NET.

\*\*Bearing Shims, Ref 824 Output Shaft & Ref 826 Intermediate Shaft, are now sold as 1 set on

SOME PART NUMBERS DETERMINED BY RATIO AND/OR OPTIONAL FEATURES.  
ALWAYS PROVIDE SERIAL NUMBER OF DRIVE WHEN ORDERING PARTS FOR  
VERIFICATION.



<b>Model 1311 Parts List</b>		
<b>Ref. No.</b>	<b>Part No.</b>	<b>Description</b>
10	D3-10	Gear Case and
12	D3-12	Cover
11	D3-11	Upper Seal Plate
15	D3-15	Horiz. Carrier
16	D3-16A	Horiz. Seal Plate
17B	D3-17BM	Lower Brg Cover-Interm
17A	D2-17AM	Lower Brg Cover-Output
18	D2-18	Cover Plate
19	D3-19	Upper Brg Cover-Interm
20	33018	Oil Slinger Plate
21	D3-21	Vertical Seal Carrier
22	D3-22	Vertical Gear Mount
	L18B	Inspection Plate
+100	100	Spiral Bevel Gears, ratios 9 thru 10, 11 thru 14
+100	100	Spiral Bevel Gears, ratios 8.5, 10.5, 17
200G	398G	Helical Gear
+200P	398P	Helical Pinion
400	33028	Vertical Output Shaft
450	450	Above Gear Spcr-Interm
451	451	Bet. Gear Spcr-Interm
452	452	Lower Gear Spcr-Output
453	453	Under Gear Spcr-Interm
500	500	Horizontal Shaft
550	550	Horiz Inner Brg Spacer
560	5237	Horiz Brg Locknut Set
561	N/W-08	Horiz Gear Retainer
570	32025	Oil Slinger
+600	48220/290	Upper Bearing-Output
+601	71750/425	Lower Bearing-Output
+602	2-H715345	Outer Bearing-Horiz
	2-H715311	
+603	22308C	Inner Bearing-Horiz
+604	742/749	Upper Bearing-Interm
+605	HH221410	Lower Bearing-Interm
	HH221430	
+802	SH 1311	Standard Horiz Oil Seal Set - CR Seal #24370, qty 2
+815	SV 1311	Standard Output Shaft Seal Set - CR Seal #49928, qty 2
+823	M 313650	Breather Plug
**+824	SM 1311	Brg Shims-Output & Interm Shaft
+825	GC 1311	Gasket Set - Complete (below S/N 231989)
	51531	Loctite Gasket Sealant 2-50ml tubes (S/N 231989 & above)
**+826	*See Ref 824*	
	M AS364	O-ring for D3-21
	M AS255	O-ring for D3-19
836	34152	Horizontal Carrier Oil Ring
910	MK 7501-5	Gear Key-Interm Shaft
911	911-1311	Gear Key-Horiz Shaft
912	MK 7498-8	Gear Key-Output Shaft
913	913-1311	Oil Slinger Key
300	HV 2379	Oil Pump, replaces AG530G
303	33010	Oil Pump Drive Plate
17M	D3-17M	Bottom Plug-Oil Pump

+Recommended Spare Parts

*MINIMUM ORDER VALUE - \$100.00 NET.*

\*Bearing Shims, Ref 824 Output Shaft & Ref 826 Intermediate Shaft, are now sold as 1 set on!

*SOME PART NUMBERS DETERMINED BY RATIO AND/OR OPTIONAL FEATURES.  
ALWAYS PROVIDE SERIAL NUMBER OF DRIVE WHEN ORDERING PARTS FOR  
VERIFICATION.*



<b>Model 1712 Parts List</b>		
<b>Ref. No.</b>	<b>Part No.</b>	<b>Description</b>
10	D410	Gear Case and
12	D4-12	Cover
11	D4-11	Upper Seal Plate
15	D4-15	Horiz. Carrier
16	D3-16A	Horiz. Seal Plate
17B	D4-17BM	Lower Brg Cover-Interm
17A	D4-17AM	Lower Brg Cover-Output
18	D4-18	Cover Plate
19	D4-19M	Upper Brg Cover-Interm
20	D4-20	Oil Slinger Plate
21	D4-21	Vertical Seal Carrier
22	D4-22 3.75	Vertical Gear Mount
	L18B	Inspection Plate
+100	100	Spiral Bevel Gears, ratios 9, 11 thru 16
+100	100	Spiral Bevel Gears, ratios 9.5, 10.5, 17, 18
200G	387G	Helical Gear
+200P	387P	Helical Pinion
400	34028	Vertical Output Shaft
450	450	Above Gear Spcr-Interm
451	451	Bet. Gear Spcr-Interm
452	452	Lower Gear Spcr-Output
453	453	Under Gear Spcr-Interm
500	500.00	Horizontal Shaft
550	550	Horiz Inner Brg Spacer
560	5237	Horiz Brg Locknut Set
561	N/W-10	Horiz Gear Retainer
570	34022	Oil Slinger
+600	74850/550	Upper Bearing-Output
+601	95925/500	Lower Bearing-Output
+602	2-H715345	Outer Bearing-Horiz
	2-H715311	
+603	22310C	Inner Bearing-Horiz
+604	6535/6580	Upper Bearing-Interm
+605	HH421210	Lower Bearing-Interm
	HH421246	
+802	SH 1712	Horiz Oil Seal Set- CR Seal# 24370, Qty 2
+815	SV 1712	Output Shaft Seal Set- CR Seal# 54972, Qty 2
+823	M 313650	Breather Plug
**+824	SM 1712	Brg Shims-Output & Interm Shaft
+825	GC 1712	Gasket Set - Complete (below S/N 231989)
	51531	Loctite Gasket Sealant 2-50ml tubes (S/N 231989 & above)
**+826	*See Ref 824*	
	M AS369	O-ring for D4-21
	M AS258V	O-ring for D419M
836	34152	Horizontal Carrier Oil Ring
910	MK 7501-6	Gear Key-Interm Shaft
911	911-1712	Gear Key-Horiz Shaft
912	MK 7498-9	Gear Key-Output Shaft
913	913-1712	Oil Slinger Key
300	HV 2379	Oil Pump, replaces AG530G
303	34025	Oil Pump Drive Plate
17M	D4-17MR	Bottom Plug-Oil Pump

+Recommended Spare Parts

*MINIMUM ORDER VALUE - \$100.00 NET.*

\*Bearing Shims, Ref 824 Output Shaft & Ref 826 Intermediate Shaft, are now sold as 1 set on!

*SOME PART NUMBERS DETERMINED BY RATIO AND/OR OPTIONAL FEATURES.  
ALWAYS PROVIDE SERIAL NUMBER OF DRIVE WHEN ORDERING PARTS FOR  
VERIFICATION.*



<b>Model 1712.5 Parts List</b>		
<b>Ref. No.</b>	<b>Part No.</b>	<b>Description</b>
10	D4.510	Gear Case and
12	D4-12	Cover
11	D4-11	Upper Seal Plate
15	D5-15	Horiz. Carrier
16	D5-16A	Horiz. Seal Plate
17B	D4-17BM	Lower Brg Cover-Interm
17A	D4-17AM	Lower Brg Cover-Output
18	D4-18	Cover Plate
19	D4-19M	Upper Brg Cover-Interm
20	D4-20	Oil Slinger Plate
21	D4-21	Vertical Seal Carrier
22	D4-22 3.75	Vertical Gear Mount
	L18B	Inspection Plate
+100	100	Spiral Bevel Gears, ratios 11 thru 17
+100	100	Spiral Bevel Gears, ratios 18, 19, 20
200G	730G	Helical Gear
+200P	730P	Helical Pinion
400	34203	Vertical Output Shaft
450	450	Above Gear Spcr-Interm
451	451	Bet. Gear Spcr-Interm
452	452	Lower Gear Spcr-Output
453	453	Under Gear Spcr-Interm
500	500	Horizontal Shaft
550	550	Horiz Inner Brg Spacer
560	6217	Horiz Brg Locknut Set
561	N/W-10	Horiz Gear Retainer
570	34022	Oil Slinger
+600	74850/550	Upper Bearing-Output
+601	95925/500	Lower Bearing-Output
+602	2-6535	Outer Bearing-Horiz
	2-6580	
+603	22310C	Inner Bearing-Horiz
+604	6535/6580	Upper Bearing-Interm
+605	HH421210	Lower Bearing-Interm
	HH421246	
+802	SH 1712.5	Standard Horiz Oil Seal Set - CR Seal #29384, qty 2
+815	SV 1712.5	Standard Output Shaft Seal Set - CR Seal #54972, qty 2
+823	M 313650	Breather Plug
**+824	SM 1712.5	Brg Shims-Output & Interm Shaft
+825	GC 1712	Gasket Set - Complete (below S/N 231989)
	51531	Loctite Gasket Sealant 2-50ml tubes (S/N 231989 & above)
**+826	*See Ref 824*	
	M AS369	O-ring for D4-21
	M AS258V	O-ring for D419M
836	34106	Horizontal Carrier Oil Ring
910	MK 7501-6	Gear Key-Interm Shaft
911	911-1713	Gear Key-Horiz Shaft
912	MK 7498-9	Gear Key-Output Shaft
913	913-1712.5	Oil Slinger Key
300	HV 2379	Oil Pump, replaces AG530G
303	34025	Oil Pump Drive Plate
17M	D4-17MR	Bottom Plug-Oil Pump

+Recommended Spare Parts

*MINIMUM ORDER VALUE - \$100.00 NET.*

\*Bearing Shims, Ref 824 Output Shaft & Ref 826 Intermediate Shaft, are now sold as 1 set on!

*SOME PART NUMBERS DETERMINED BY RATIO AND/OR OPTIONAL FEATURES.  
ALWAYS PROVIDE SERIAL NUMBER OF DRIVE WHEN ORDERING PARTS FOR  
VERIFICATION.*



<b>Model 1713A Parts List</b>		
<b>Ref. No.</b>	<b>Part No.</b>	<b>Description</b>
10	D5-10B	Gear Case and
12	D5-12	Cover
11	D5-11	Upper Seal Plate
15	D5-15	Horiz. Carrier
16	D5-16A	Horiz. Seal Plate
17B	D-517BM	Lower Brg Cover-Interm
17A	D5-17AM	Lower Brg Cover-Output
18	D4-18	Cover Plate
19	D5-19	Upper Brg Cover-Interm
20	D4-20	Oil Slinger Plate
21	D5-21	Vertical Seal Carrier
22	D4-22 3.75	Vertical Gear Mount
	L18B	Inspection Plate
+100	100	Spiral Bevel Gears, ratios 13, 14, 15, 16, 17
+100	100	Spiral Bevel Gears, ratios 11, 15.5, 18, 19, 20
200G	399G	Helical Gear
+200P	399P	Helical Pinion
400	35028	Vertical Output Shaft
450	450	Above Gear Spcr-Interm
451	451	Bet. Gear Spcr-Interm
452	452	Lower Gear Spcr-Output
453	453	Under Gear Spcr-Interm
500	500	Horizontal Shaft
550	550	Horiz Inner Brg Spacer
560	6217	Horiz Brg Locknut Set
561	N/W-10	Horiz Gear Retainer
570	34022	Oil Slinger
+600	M231610/49	Upper Bearing-Output
+601	99100/550	Lower Bearing-Output
+602	2-6535	Outer Bearing-Horiz
	2-6580	
+603	22310C	Inner Bearing-Horiz
+604	850/32	Upper Bearing-Interm
+605	HH224310	Lower Bearing-Interm
	HH224335	
+802	SH 1713	Standard Horiz Oil Seal Set - CR Seal #29384, qty 2
+815	SV 1713	Standard Output Shaft Seal Set - National Seal #415683
+823	M 313650	Breather Plug
**+824	SM 1713	Brg Shims-Output & Interm Shaft
+825	GC 1713	Gasket Set - Complete (below S/N 231989)
	51531	Loctite Gasket Sealant 2-50ml tubes (S/N 231989 & above)
**+826	*See Ref 824*	
	M AS267V	O-ring for D5-21
	M AS362	O-ring for D5-19
836	35106	Horizontal Carrier Oil Ring
910	MK 7501-6	Gear Key-Interm Shaft
911	911-1713	Gear Key-Horiz Shaft
912	MK 7498-10	Gear Key-Output Shaft
913	913-1713	Oil Slinger Key
300	HV 2379	Oil Pump, replaces AG530G
303	35017	Oil Pump Drive Plate
17M	D5-17M	Bottom Plug-Oil Pump

+Recommended Spare Parts

*MINIMUM ORDER VALUE - \$100.00 NET.*

\*Bearing Shims, Ref 824 Output Shaft & Ref 826 Intermediate Shaft, are now sold as 1 set only!

*SOME PART NUMBERS DETERMINED BY RATIO AND/OR OPTIONAL FEATURES.  
ALWAYS PROVIDE SERIAL NUMBER OF DRIVE WHEN ORDERING PARTS FOR  
VERIFICATION.*





<b>Model 1814 Parts List</b>		
<b>Ref. No.</b>	<b>Part No.</b>	<b>Description</b>
10	D6-1012	Gear Case and Cover
12		
11	D6-11	Upper Seal Plate
15R	D6-15R	Horiz. Inner Bearing Carrier
15T	D6-15T	Horiz. Outer Bearing Carrier
16	D6-16	Horiz. Oil Seal Plate
17B	D6-17B	Bottom Plug-Intermediate
17A	D6-43	Outer Bearing Carrier
18	D6-18	Oil Pocket Cover Plate
19	D6-19	Upper Brg Cover-Interm
---	L18B	Inspection Plate
20	D4-20 3.5	Oil Slinger Plate
21	D6-21	Vertical Seal Carrier
22	D6-22	Vertical Gear Mount
+100	100	Spiral Bevel Gears
200G	578G	Helical Gear
+200P	578P	Helical Pinion
400	36028	Vertical Output Shaft
450	450	Above Gear Spcr-Interm
451	451	Bet. Gear Spcr-Interm
452	452	Lower Gear Spcr-Output
453	453	Under Gear Spcr-Interm
560	6217	Horiz Brg Locknut Set
561	12148	Inner Bearing Retainer
570	36014	Oil Slinger
+600	67720/67790	Upper Bearing-Output
+601	N232	Lower Radial Bearing-Output
+602	98788/98350	Outer Bearing-Horiz (2)
+603	22310C	Inner Bearing-Horiz
+604	932/941	Upper Bearing-Interm
+605	HH923610/49	Lower Bearing-Interm
+606	29326	Lower Thrust Bearing - Output
+802	SH 1814	Standard Horiz Oil Seal Set - CR Seal #31189, qty 2
+815	SV 1814	Standard Vertical Oil Seal Set - CR Seal #70052, qty 2
+823	M 313650	Breather Plug
**	SM 1814	Brg Shims-Output & Interm Shaft
+825	GC 1814	Gasket Set - Complete (below S/N 231989)
	51531	Loctite Gasket Sealant 2-50ml tubes (S/N 231989 & above)
**	+826	*See Ref 824*
835	9-1604-21	Pre-Load Springs (8)
+828	M AS379	O-Ring Vertical Seal Carrier
+829	M AS376	O-Ring Interm Upper Brg Carrier
+830	M AS456	O-Ring Horz Inner Brg Carrier
+831	M AS276	O-Ring Horz Outer Brg Carrier
+832	M AS170	O-Ring Oil Seal Plate
+833	M AS367	O-Ring Interm Lower Brg Cover
+834	M AS381	O-Ring Thrust Brg Carrier
910	MK 7498-11	Gear Key-Interm Shaft
912	MK 7501-4	Gear Key-Output Shaft
913	MK 8	Oil Slinger Key
300	HV 2379	Oil Pump, replaces AG530G
303	36015	Oil Pump Drive Plate
17M	D6-17BM	Bottom Plug-Oil Pump

+Recommended Spare Parts

*MINIMUM ORDER VALUE - \$100.00 NET.*

\*Bearing Shims, Ref 824 Output Shaft & Ref 826 Intermediate Shaft, are now sold as 1 set on!

*SOME PART NUMBERS DETERMINED BY RATIO AND/OR OPTIONAL FEATURES.  
ALWAYS PROVIDE SERIAL NUMBER OF DRIVE WHEN ORDERING PARTS FOR  
VERIFICATION.*

<b>Model A32 Parts List</b>		
<b>Ref. No.</b>	<b>Part No.</b>	<b>Description</b>
10	MD3-10	Gear Case and
12	D3-12	Cover
11	MD3-11	Upper Seal Plate
15	MD3-15	Horiz. Carrier
16	D3-16A	Horiz. Seal Plate
18	D2-18	Cover Plate
19	D3-19	Upper Brg Cover-Interm
20	33018	Oil Slinger Plate
21	D3-21	Vertical Seal Carrier
22	D3-22	Vertical Gear Mount
---	L18B	Inspection Plate
100+	100	Spiral Bevel Gears
200G	398G	Helical Gears
200P	398P	Helical Pinion
400	37008	Vertical Output Shaft
450	450	Above Gear Spcr-Interm
451	451	Bet. Gear Spcr-Interm
452	452	Lower Gear Spcr-Output
453	453	Lower Gear Spcr-Interm
---	N/A	Between Helical Spcr
500	500	Horizontal Shaft
560	5237	Horiz Brg Locknut Set
570	32025	Oil Slinger
600+	48220/290	Upper Bearing-Output
601+	71750/425	Lower Bearing-Output
602+	JLM710910/49	Outer Bearing-Horiz
603+	H414210/49	Inner Bearing-Horiz
604+	742/749	Upper Bearing-Interm
605+	HH221410/30	Lower Bearing-Interm
802+	SH A32	Standard Horiz Oil Seal Set - CR Seal #24370, qty 2
815+	SV A32	Standard Output Shaft Seal Set - CR Seal #49928, qty 2
823	M313650	Breather Plug
**	824+	SM A32 Brg Shims-Output & Interm Shaft
	825+	G A32 Gasket Set (below S/N 231989)
		51531 Loctite Gasket Sealant 2-50ml tubes (S/N 231989 & above)
**	826+	*See Ref 824*
	910	910-A32 Gear Key-Interm Shaft
	911	911-A32 Gear Key-Horiz Shaft
	912	MK 7498-8 Gear Key-Output Shaft
	913	913-A32 Oil Slinger Key
	---	P1022-6 Oil Sight Gauge
	---+	M AS255 Upper Brg. Cover O-ring
	---+	M AS364 Vert. Seal Carr. O-ring
	---	37015 Hub Retainer Plate
	---	N/A Brg. Adjustment Plate
	---	N/A Snap Ring

+Recommended Spare Parts

*MINIMUM ORDER VALUE - \$100.00 NET.*

\*\*Bearing Shims, Ref 824 Output Shaft & Ref 826 Intermediate Shaft, are now sold as 1 set only

*SOME PART NUMBERS DETERMINED BY RATIO AND/OR OPTIONAL FEATURES.  
ALWAYS PROVIDE SERIAL NUMBER OF DRIVE WHEN ORDERING PARTS FOR  
VERIFICATION.*



**Amarillo  
Gear  
Company  
LLC**

Post Office Box 1789  
Amarillo, Texas 79105  
2401 Sundown Lane (79118)  
Ph. 806 622 1273  
Fax 806 622 3258

<b>Model A34 Parts List</b>			
<b>Ref. No.</b>	<b>Part No.</b>	<b>Description</b>	
10	MD4-10	Gear Case and	
12	D4-12	Cover	
11	D4-11	Upper Seal Plate	
15	D4-13	Horiz. Carrier	
16	D5-16A	Horiz. Seal Plate	
18	D4-18	Cover Plate	
19	D4-19M	Upper Brg Cover-Interm	
20	D4-20	Oil Slinger Plate	
21	D4-21	Vertical Seal Carrier	
22	D4-22 3.75	Vertical Gear Mount	
---	L18B	Inspection Plate	
100+	100	Spiral Bevel Gears	
100+	100	Spiral Bevel Gears	
200G	387G	Helical Gears	
200P	387P	Helical Pinion	
400	38006	Vertical Output Shaft	
450	450	Above Gear Spcr-Interm	
451	451	Bet. Gear Spcr-Interm	
452	452	Lower Gear Spcr-Output	
453	453	Lower Gear Spcr-Interm	
---	N/A	Between Helical Spcr	
500	500	Horizontal Shaft	
560	6217	Horiz Brg Locknut Set	
570	34022	Oil Slinger	
600+	74850/550	Upper Bearing-Output	
601+	95925/500	Lower Bearing-Output	
602+	742/9	Outer Bearing-Horiz	
603+	98788/350	Inner Bearing-Horiz	
604+	6535/6580	Upper Bearing-Interm	
605+	HH421210/46	Lower Bearing-Interm	
802+	SH A34	Standard Horiz Oil Seal Set - CR Seal #29384, qty 2	
815+	SV A34	Standard Output Shaft Seal Set - CR Seal #54972, qty 2	
823	M313650	Breather Plug	
**	824+	SM A34	Brg Shims-Output & Interm Shaft
**	825+	G A34	Gasket Set (below S/N 231989)
**		51531	Loctite Gasket Sealant 2-50ml tubes (S/N 231989 & above)
**	826+	*See Ref 824*	
	910	MK 7501-6	Gear Key-Interm Shaft
	911	MK 7498-4	Gear Key-Horiz Shaft
	912	MK 7498-9	Gear Key-Output Shaft
	913	MK23	Oil Slinger Key
	---	P1022-6	Oil Sight Gauge
	---+	AS258V	Upper Brg. Cover O-ring
	---+	AS369	Vert. Seal Carr. O-ring
	---	37015.00	Hub Retainer Plate
	---	N/A	Brg. Adjustment Plate
	---	N/A	Snap Ring

+Recommended Spare Parts

*MINIMUM ORDER VALUE - \$100.00 NET.*

\*\*Bearing Shims, Ref 824 Output Shaft & Ref 826 Intermediate Shaft, are now sold as 1 set only

*SOME PART NUMBERS DETERMINED BY RATIO AND/OR OPTIONAL FEATURES.  
ALWAYS PROVIDE SERIAL NUMBER OF DRIVE WHEN ORDERING PARTS FOR  
VERIFICATION.*



**Amarillo  
Gear  
Company  
LLC**

Post Office Box 1789  
Amarillo, Texas 79105  
2401 Sundown Lane (79118)  
Ph. 806 622 1273  
Fax 806 622 3258

<b>Model A36 &amp; A38 Parts List</b>		
<b>Ref. No.</b>	<b>Part No.</b>	<b>Description</b>
10	MD4-10	Gear Case and
12	D4-12	Cover
11	34084	Upper Seal Plate
15	D4-13	Horiz. Carrier
16	D5-16A	Horiz. Seal Plate
18	D4-18	Cover Plate
19	D4-19M	Upper Brg Cover-Interm
20	D4-20	Oil Slinger Plate
21	34085	Vertical Seal Carrier
22	D4-22 3.75	Vertical Gear Mount
---	L18B	Inspection Plate
100+	100	Spiral Bevel Gears for Model A36
100+	100	Spiral Bevel Gears for Model A38
200G	387G	Helical Gears
200P	387P	Helical Pinion
400	34083	Vertical Output Shaft
450	450	Above Gear Spcr-Interm
451	451	Bet. Gear Spcr-Interm
452	452	Lower Gear Spcr-Output
453	453	Lower Gear Spcr-Interm
---	XF-A36	Between Helical Spcr
500	500	Horizontal Shaft
560	6217	Horiz Brg Locknut Set
570	34022	Oil Slinger
600+	74850/550	Upper Bearing-Output
601+	95925/500	Lower Bearing-Output
602+	742/9	Outer Bearing-Horiz
603+	98788/350	Inner Bearing-Horiz
604+	6535/6580	Upper Bearing-Interm
605+	HH421210/46	Lower Bearing-Interm
802+	SH A36	Standard Horiz Oil Seal Set - CR Seal #29384, qty 2
815+	SV A36	Standard Output Shaft Seal Set - CR Seal #64994, qty 2
823	M313650	Breather Plug
**	824+	SM A36 Brg Shims-Output & Interm Shaft
**	825+	G A36 Gasket Set (below S/N 231989)
**		51531 Loctite Gasket Sealant 2-50ml tubes (S/N 231989 & above)
**	826+	*See Ref 824*
	910	910-A36 Gear Key-Interm Shaft
	911	911-A36 Gear Key-Horiz Shaft
	912	912-A36 Gear Key-Output Shaft
	913	913-A36 Oil Slinger Key
	---	P1022-6 Oil Sight Gauge
	---+	M AS258V Upper Brg. Cover O-ring
	---+	M AS267V Vert. Seal Carr. O-ring
	---	34088 Hub Retainer Plate
	---	34086 Brg. Adjustment Ring
	---	3100-650 Snap Ring

+Recommended Spare Parts

*MINIMUM ORDER VALUE - \$100.00 NET.*

\*\*Bearing Shims, Ref 824 Output Shaft & Ref 826 Intermediate Shaft, are now sold as 1 set only

*SOME PART NUMBERS DETERMINED BY RATIO AND/OR OPTIONAL FEATURES.  
ALWAYS PROVIDE SERIAL NUMBER OF DRIVE WHEN ORDERING PARTS FOR  
VERIFICATION.*